

U.S. PUBLIC LAND SURVEY MONUMENT RECORD

For Public Land Survey Corners in:

WI ADMINISTRATIVE CODE A-E 7.08 REQUIREMENT

T. 3 N., R. 13 E

CORNER CODE INDEX

1	2	3	4	5	6	7	8	9	10	11	12	13	14	15	16	17	18	19	20	21	22	23	24	25
A																								
B	6																							
C		5																						
D			4																					
E				3																				
F					2																			
G	1																							
H		8																						
I			9																					
J				10																				
K					11																			
L	18					11																		
M							10																	
N								9																
O									8															
P	19									20														
Q											21													
R												22												
S													23											
T														24										
U															25									
V																26								
W																	27							
X																		28						
Y																			29					
Z																				30				

HARMONY TWP
ROCK COUNTY WI

IF AVAILABLE
ROCK COUNTY COORDINATES PREFERRED

North _____ Elev. _____

East _____

Hor. Datum _____ Vert. Datum _____

LATITUDE _____ ELLIPS. HT. _____

LONGITUDE _____

GPS (X) _____ TRAVERSE (X) _____

BASED ON THE FOLLOWING CONTROL:

PLACE MONUMENT SYMBOL AT PROPER LOCATION ON ABOVE INDEX

CORNER MONUMENT WITNESS MONUMENT

BEARINGS ARE BASED ON: _____

FIELD BOOK _____ PAGE # _____

SHEET 1 OF 2

SHOW A PLAN VIEW DRAWING DEPICTING THE CORNER MONUMENT AND SURROUNDING PHYSICAL FEATURES, INCLUDING THE EXCAVATION AREA AND DEPTH.

PLANNING & ZONING COMMITTEE ADOPTED THE ABOVE FORM ON 12/2/1982

CORNER CODE 59(5)

(B) Describe any record evidence, monument evidence, occupational evidence, testimonial evidence or any other material evidence you considered, and whether the monument was found or placed.

- 1861 RUGER VOL 1 PG 155 SURROUNDED STAKE WITH 2 LARGE & 3 SMALL HARD HEAD STONES.
- 1863 LOCKE VOL 1 PG 187 LOCKE FOUND STONE MONUMENT SET BY RUGER
- 1864 LOCKE VOL 1 PG 223 FOUND STAKE & STONE SET BY RUGER
- 1869 LEE VOL 1 PG 342 FOUND STAKE SET BY RUGER
- 1870 RUGER REMONUMENTATION FIELD NOTES. FOUND STAKE SURROUNDED BY HARD HEAD STONES ON CORNER. SET BY SELF.
- 1876 RUGER VOL 2 PG 203 NOTES STONE MONUMENT
- 1886 RUGER VOL 2 PG 289 USED CORNER TO ESTABLISH MONUMENTS ON SOUTH LINE OF THE SE 1/4 OF SECTION 8
- 1858 BATTERMAN JR. VOL 3 PG 532 FOUND 1 1/4" PIPE. SHOWED REFERENCE TIES.
- 19?? MARK HURD MAPPING VOL PG 518 SHOWS COORDINATES
- 19?? SCHROEDER VOL 5 PG 63 SHOWS 1 1/4" PIPE WITH TIES.
- 1984 BARNES U.S. PUBLIC LAND SURVEY MONUMENT RECORD
- 1986 BARNES US PUBLIC LAND SURVEY MONUMENT RECORD DUG 2 VERY LARGE 8' DEEP HOLES AND DID NOT FIND CUT LIMESTONE.
- 1988 BARNES VOL 6 PG 392 MAPS SHOWS RECORD DISTANCES TO CORNER. STATES NOTHING ABOUT MONUMENT.
- 1989 BARNES J9-(2) US PUBLIC LAND SURVEY MONUMENT RECORD. FD PK & 0.3' DEEP FD POLY MON. PLACED 1" RISER & REFERENCED SAME.
- 1997 BARNES J9-(3) TIES AND MONUMENT WAS PROBABLY DESTROYED BY SEWER PROJECT. USED RECORD DISTANCES AND ANGLES OF SUBDIVISION PLAT, CSM, AND CORNERS TO THE EAST. SET ALUM. SURVEY SPIKE.
- 2000 BARNES J9-(4) FOUND ALUM SURVEY SPIKE & REFERENCED SAME. MONUMENT WILL BE DESTROYED BY ROAD CONSTRUCTION.

PLACED ALUM. MON. FROM TIES & PLACED MAGNETS ABOUT 24" DEEP.

C) Was the corner restored through acceptance of (1) an obliterated evidence location, or, (2) a found perpetuated location?

ACCEPTED OBLITERATED EVIDENCE LOCATION.

D) Describe any material discrepancy between the location of the corner as restored or reestablished and the location of that corner as previously restored or reestablished by distance and direction. Show the discrepancy on the plan view drawing under (a), above. Show the distances between the corner as previously restored or reestablished and (1) the corner as restored or reestablished, and (2) to at least 4 of the witness monuments shown on the drawing in (a), above.

(E) Was the corner reestablished through lost corner proportionate methods? If so, show the method, including the directions and distances to other public land survey corners used as evidence or used for proportioning the corner location.

I, Donald Barnes, hereby certify that the corner location as identified by the corner code index was determined by me under by direction and control and that this U.S. Public Land Survey Monument Record is correct and complete to the best of my knowledge and belief.

seal

Number of included sheets 1

emboss/stamped

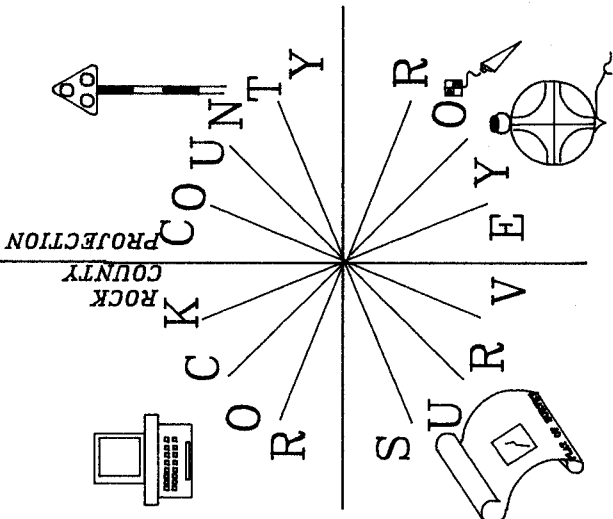
Donald Barnes

Nov 29 2000

CORNER CODE J-9(5)

A-E 7.08 REQUIREMENT

N



CANDLEWOOD DR

REC 1" PIN
12" DEEP

CASTLEMORE ESTATES
CABLE ANT. N21-70-09W 530'
WHIP ANT. ON WEST SIDE OF CABLE ANT.
N41-08-40W 530'

REC NO-46-07W
REC 209.14
REC 209.04

REC NO-46-07W RECNO-46-07W
REC 33.00
REC 33.00

CSM
HSE # 3607
REC 9/8" PIN
REC 5/8" PIN
REC 1" PIN
REC 6/8" PIN
REC 5/8" PIN
REC 1" PIN

REC 39.86
REC 39.86
REC 39.86
REC 39.86
REC 106.25
REC 106.26
REC 106.26

REC 106.25
REC 106.26
REC 106.26
REC N69-20-47E
REC S88-32-47E 1320.58

REC 1" PIN
REC N88-23-46W 2642.15 (M.H.)
REC 18.7
REC 18.7

ROTAMER RD

REC S88-32-47E 1320.57

REC N32-34-02E 91.06
REC N32-33-57E 91.05

REC N32-34-02E 91.06
REC N32-33-57E 91.05
REC S52-05-28E 63.90
REC S52-05-14E 63.90

S80-59-42E 86.16

HARMONY TWP
T3N R13E

HSE #3606

4.7'

REC 12" TREE

OBSERVATION SHEET #545
● PLACED 3/4 X 24" REROD / PLASTIC CAP
● PLACED ALUM. MON.

1/16TH COR
REC FD R/R
SPIKE
S 1/4 COR
REC POLY WITH
TOP BROKE OFF

Dond Passes
EMBOSSED SEAL

NOV 29, 2000

J-9(5)