

U.S. PUBLIC LAND SURVEY MONUMENT RECORD

For Public Land Survey Corners in the

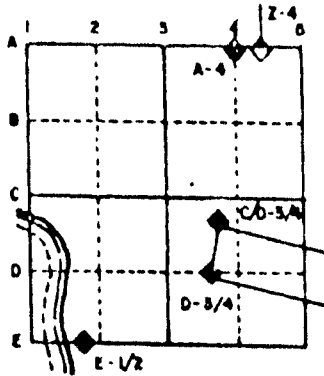
T. A N., R. 11 E.

CORNER CODE INDEX

	1	2	3	4	5	6	7	8	9	10	11	12	13	14	15	16	17	18	19	20	21	22	23	24	25
A																									
B																									
C	6																								
D																									
E																									
F																									
G																									
H																									
I																									
J																									
K																									
L																									
M																									
N																									
O																									
P																									
Q																									
R																									
S																									
T	30																								
U																									
V																									
W																									
X																									
Y	31																								
Z																									

PLACE MONUMENT SYMBOL (◆) AT PROPER LOCATION ON ABOVE INDEX

EXAMPLE



PORTER TWP  
ROCK COUNTY WI

IF AVAILABLE  
STATE PLANE COORDINATES

North (Y) ~~726,154,53~~ Eleve. (Z) \_\_\_\_\_

East (X) ~~445,59,10~~ Zone \_\_\_\_\_

Hor. Datum COUNTY Vert. Datum \_\_\_\_\_

◆ CORNER MONUMENT

○ WITNESS MONUMENT

BEARINGS ARE BASED ON:

MICROFILMED

SHEET \_\_\_\_\_ OF \_\_\_\_\_

CORNER CODE: A10

(B) Describe any record evidence, monument evidence, occupational evidence, testimonial evidence or any other material evidence you considered, and whether the monument was found or placed.

1874 RUGER VOL 2 PG 129 SET HH 24X9X8. CALLS FOR 1302.84 TO THE NE AND N 1/4 CORNERS OF SECTION 4.

1973 LEE VOL 5 PG 45 DUG AND FOUND HH 24X9X8 SET BY RUGER. REFERENCED SAME.

FOUND 1" PIPE 0.3' DEEP AND REFERENCE PIPES.

C) Was the corner restored through acceptance of (1) an obliterated evidence location, or, (2) a found perpetuated location?

ACCEPTED FOUND PERPETUATED LOCATION.

D) Describe any material discrepancy between the location of the corner as restored or reestablished and the location of that corner as previously restored or reestablished by distance and direction. Show the discrepancy on the plan view drawing under (a), above. Show the distances between the corner as previously restored or reestablished and (1) the corner as restored or reestablished, and (2) to at least 4 of the witness monuments shown on the drawing in (a), above.

(E) Was the corner reestablished through lost corner proportionate methods? If so, show the method, including the directions and distances to other public land survey corners used as evidence or used for proportioning the corner location.

I, Donald Barnes, hereby certify that the corner points as identified by the corner code index were, in a field survey on, SEPTEMBER 8, 1993 established, re-established, monumented, re-monumented, recovered or restored as expressed below and in conformance with the regulations and rules as required in the current manual of survey instructions of the United States Department of Interior, Bureau of Land Management.

seal  
*Donald Barnes*  
Nov 12, 1993

COUNTY SURVEYOR FILING DATA

Date of computer entry \_\_\_\_\_

Date microfilmed \_\_\_\_\_

Number of included sheets 1

CORNER CODE

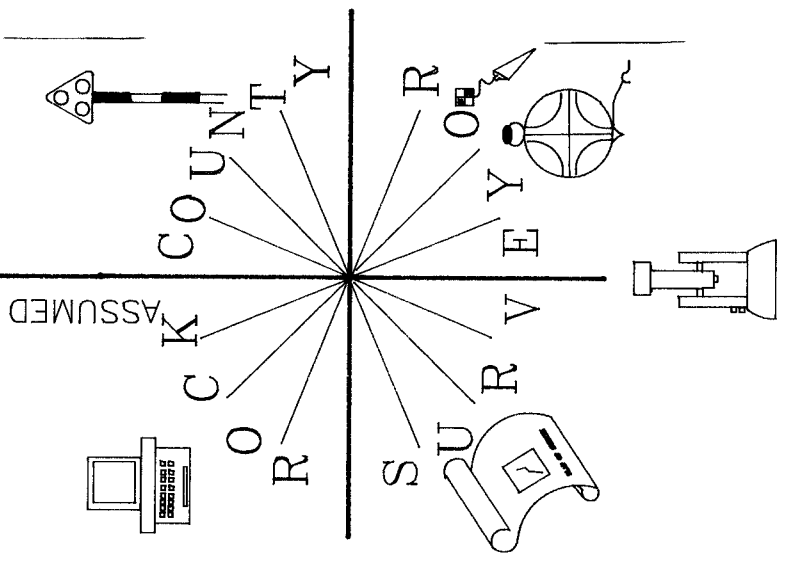
AFFIX YOUR LAND SURVEYOR SEAL

*Donald Barnes*  
 Nov 17, 1993

**N**

ASSUMED

OR  
 SURVEY  
 COUNTY



11

EAST 147.75  
 REC 147.71

FD 1" PIPE

S72-41-06E 116.00  
 REC 115.87

N35-58-34W 70.98

**STEBBINSVILLE RD**

FD 1" PIPE

N28-57-46E 77.26  
 REC 77.26  
 REC 33.99

NO-40-41E  
 33.05

N71-38-19E 72.75

S81-36-22E 69.40

FD 3/424 REROD/CAP

XXXXXXXXXXXXXXXXXXXX  
 FD 1" PIPE

FB#3 PG 47

20F2

A 10