

# U.S. PUBLIC LAND SURVEY MONUMENT RECORD

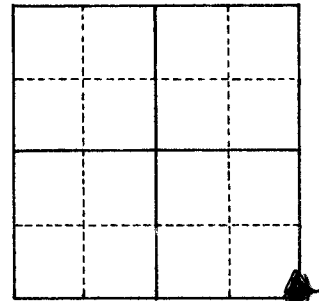
For Public Land Survey Corners in the  
T. 4 N., R. 14 E. LIMA TWP.

For Miscellaneous Corners within Sec.  
24, T. 4 N., R. 14 E.

## CORNER CODE INDEX

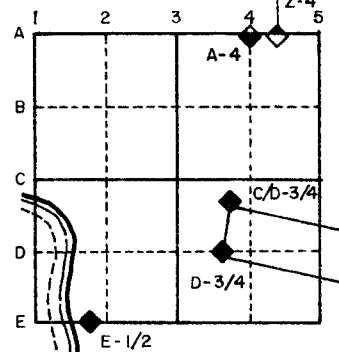
	1	2	3	4	5	6	7	8	9	10	11	12	13	14	15	16	17	18	19	20	21	22	23	24	25
A																									
B																									
C	6																								
D		5																							
E			4																						
F				3																					
G					2																				
H	7																								
I		8																							
J			9																						
K				10																					
L					11																				
M						12																			
N	18																								
O		17																							
P			16																						
Q				15																					
R					14																				
S						13																			
T	19																								
U		20																							
V			21																						
W				22																					
X					23																				
Y						24																			
Z							25																		
								26																	
									27																
										28															
											29														
												30													
													31												
														32											
															33										
																34									
																	35								
																		36							

PLACE MONUMENT SYMBOL (◆) AT PROPER LOCATION ON ABOVE INDEX



1. Above code numbers are positioned Meander, Claim, or Fractional corners of the section.
2. Township corner code numbers shall be applied to the corners of above typical section.

### EXAMPLE



IF AVAILABLE  
STATE PLANE COORDINATES

North (Y) 288,046.81 Eleve. (Z) \_\_\_\_\_  
 East (X) 2,328,000.03 Zone SOUTH  
 Hor. Datum \_\_\_\_\_ Vert. Datum \_\_\_\_\_

◆ CORNER MONUMENT

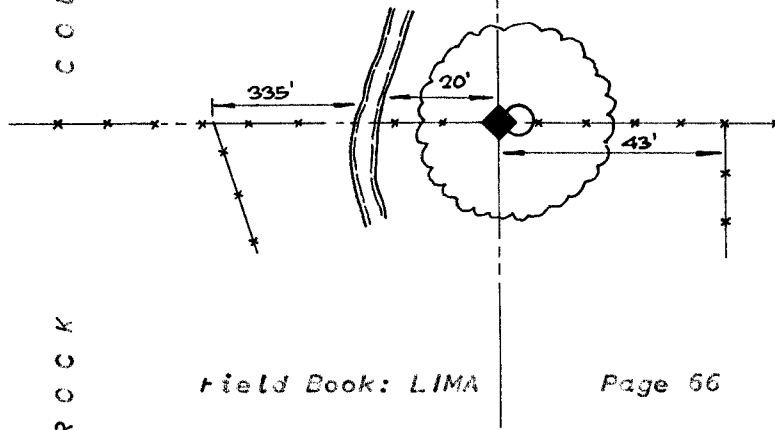
○ WITNESS MONUMENT



BEARINGS ARE BASED ON :

ROCK COUNTY

Tie sheet ( Vol. 5 Pg. 79 ) shows fences incorrectly.



WALWORTH COUNTY

Field Book: LIMA

Page 56

REFERENCED VOL 5 Pg 79

Found 2" Iron Pipe in base of very large Willow tree. Marked with Carsonite post and sign. Reference: Volume 5 of the County Surveyors Record on Page 79.

LIMA PG 66  
FIELD BOOK

MICROFILMED

SHOW A PLAN VIEW DRAWING DEPICTING THE CORNER MONUMENT AND SURROUNDING PHYSICAL FEATURES, INCLUDING THE EXCAVATION AREA AND DEPTH. THE CORNER MONUMENT SHALL HAVE THE FOLLOWING CHARACTERISTICS: 1) HAVE AT LEAST TWO PREDETERMINED BREAK-OFF POINTS. 2) IF BROKEN, LEAVE A PERMANENTLY MAGNETIZED REMNANT AT THE ORIGINAL POINT. 3) MUST BE EXTENDABLE. 4) THE CAP IS INSCRIBED: ROCK COUNTY SURVEY MONUMENT - PENALTY FOR DISTURBING MARKER. 5) OR AN EXISTING CUT LIMESTONE. AN IRON PIPE 1 1/2" x 4'0" (MINIMUM) WITH AT LEAST 4 DURABLE WITNESS MONUMENTS MAY BE USED IN AREAS WHERE GROUND WATER IS WITHIN 1.0' OF THE SURFACE. IF THE CORNER IS OCCUPIED BY AN IMPROVEMENT (MANHOLE, BURIED CABLE, ETC.), ANY DURABLE, DISTINCT MONUMENT MAY BE USED AND REFERENCED WITH AT LEAST 4 DURABLE WITNESS MONUMENTS.

1. Describe any record evidence, monument evidence, occupational evidence, testimonial evidence or any other material evidence you considered and whether the monument was found or set.

Found 2" Iron Pipe in base of very large Willow tree.

Marked with Carsonite post and sign.

2. Describe any material discrepancy between the location of the corner as restored or re-established and the location of that corner as previously restored or re-established.

None

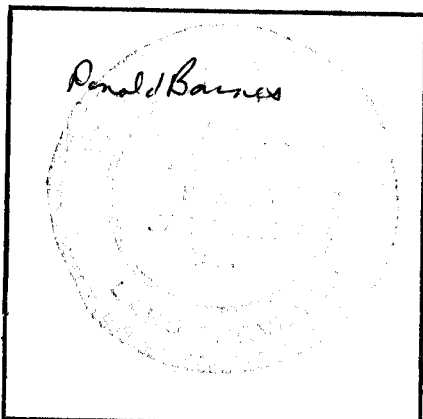
3. Was the corner restored through acceptance of an obliterated evidence location or a found perpetuated location.

Found perpetuated location

4. Was the corner re-established through lost corner proportionate methods? If so, show the method, including directions and distances to other public land survey corners used as evidence or used for proportioning in determination of the corner location.

No

I, Donald A. Barnes, hereby certify that the corner points as identified by the corner code index were, in a field survey on June 1962, established, re-established, monumented, re-monumented, recovered or restored as expressed below and in conformance with the regulations and rules as required in the current manual of survey instructions of the United States Department of Interior, Bureau of Land Management.



COUNTY SURVEYOR FILING DATA

Date of Computer Entry \_\_\_\_\_

Date Received \_\_\_\_\_

Date Microfilmed 10/15/1984

Treasurer's Receipt No. \_\_\_\_\_

Number of Included Sheets \_\_\_\_\_

AFFIX YOUR LAND SURVEYOR SEAL.

R 25