

PLAT AND RECORD

COUNTY BUILDING
CITY OF JANESVILLE

Of a Survey on Section 2 T 4N R 14E E. of the 4 P. M. in LIMA Township

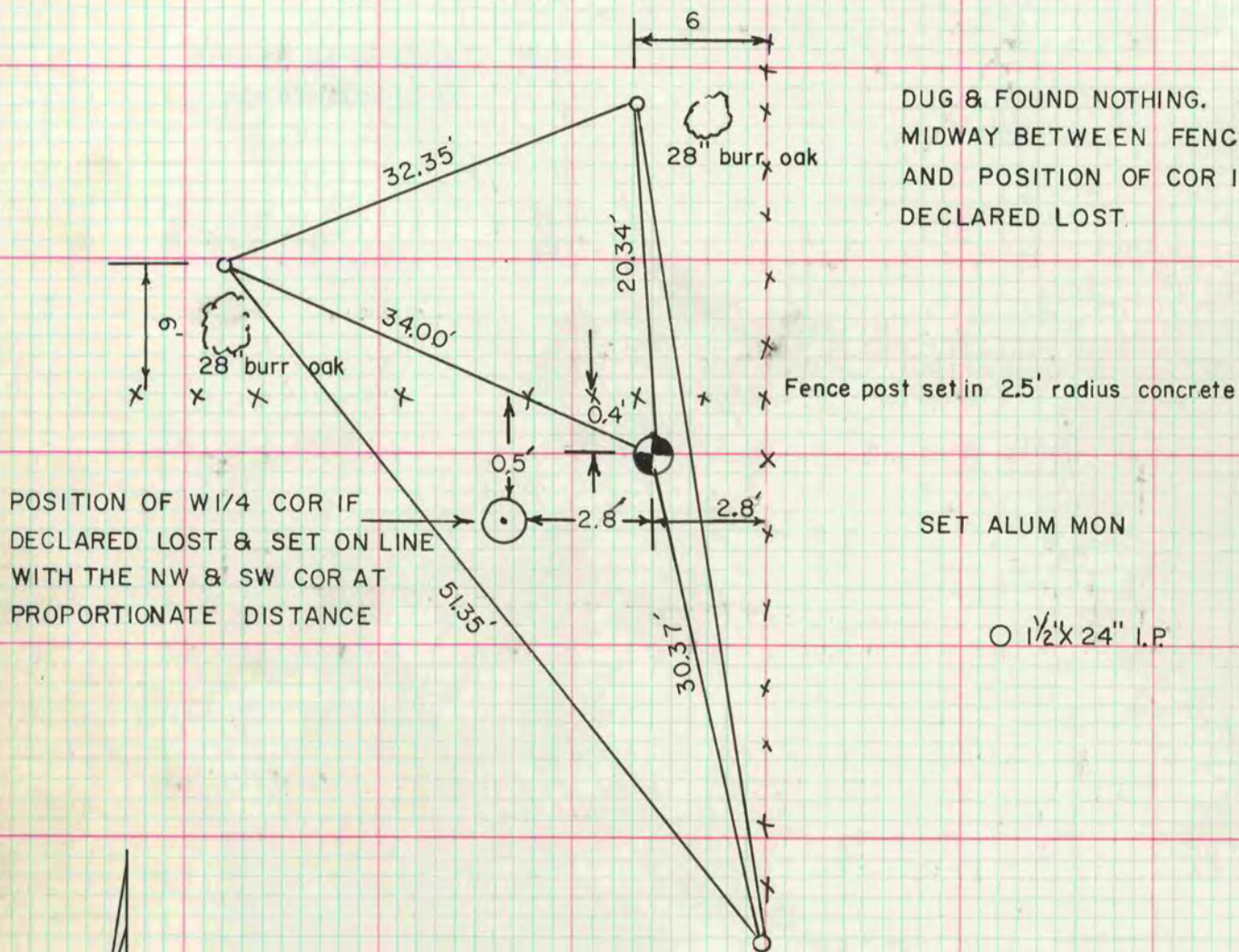
Rock County, Wisconsin, made MARCH the 29 1977

I hereby certify that the following is a correct record of said survey as made by me.



County Surveyor.

W 1/4 COR SEC 2 T4N R14E

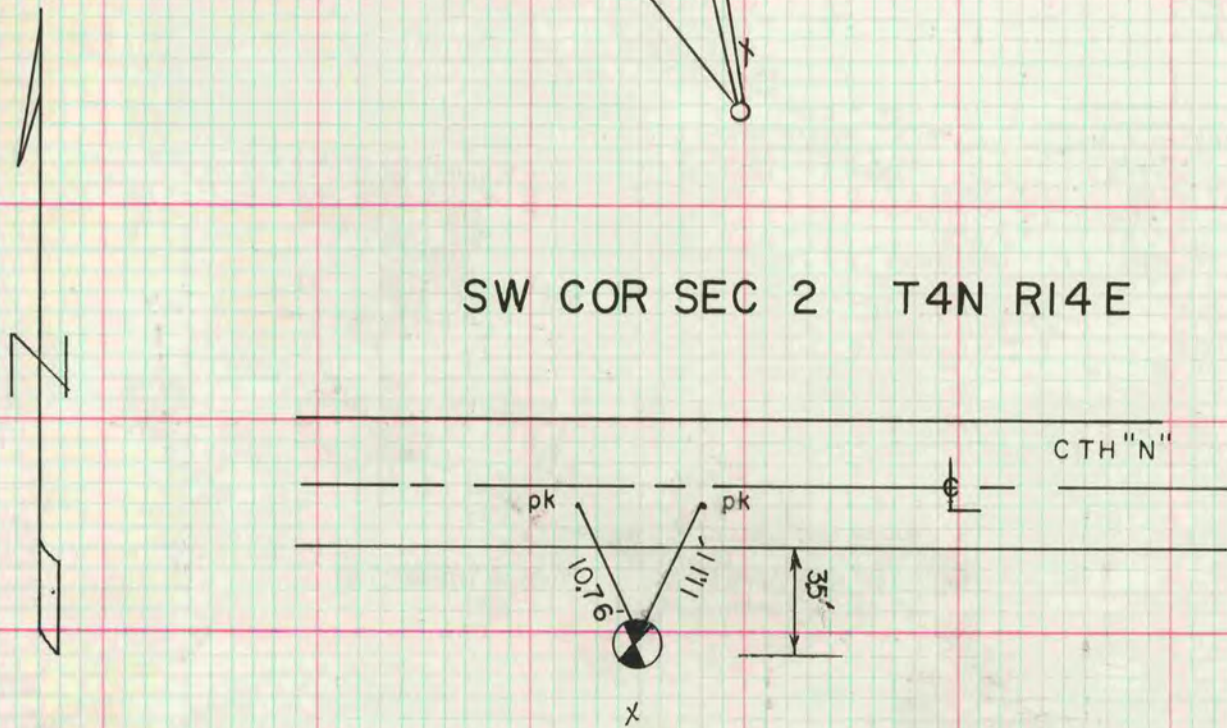


POSITION OF W1/4 COR IF DECLARED LOST & SET ON LINE WITH THE NW & SW COR AT PROPORTIONATE DISTANCE

SET ALUM MON

○ 1/2" x 24" I.P.

SW COR SEC 2 T4N R14E



FORMER COUNTY SURVEYOR DUG & FOUND NOTHING. SET ALUM MON AT REC DISTANCE (LEE 1872) TO THE S1/4 COR SEC 2 & THE W1/4 COR SEC 11

x
y
y
x

MICROFILMED