

U.S. PUBLIC LAND SURVEY MONUMENT RECORD

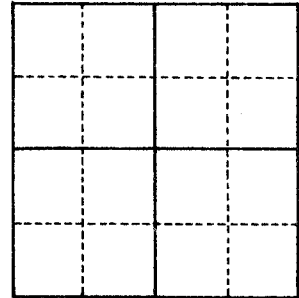
For Public Land Survey Corners in
MILTON TWP. T. 4 N., R. 13 E.

For Miscellaneous Corners within
 Sec. _____, T. _____ N., R. _____ E.

CORNER CODE INDEX

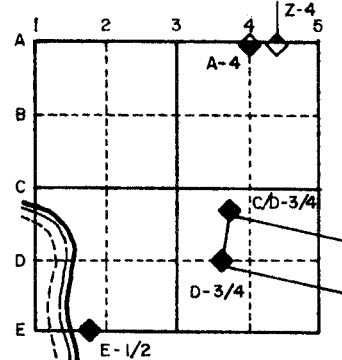
	1	2	3	4	5	6	7	8	9	10	11	12	13	14	15	16	17	18	19	20	21	22	23	24	25
A																									
B																									
C		6																							
D			5																						
E				4																					
F					3																				
G						2																			
H							1																		
I																									
J																									
K																									
L																									
M																									
N																									
O																									
P																									
Q																									
R																									
S																									
T																									
U																									
V																									
W																									
X																									
Y																									
Z																									

PLACE MONUMENT SYMBOL (◆) AT PROPER LOCATION ON ABOVE INDEX



1. Above code numbers are positioned Meander, Claim, or Fractional corners of the section.
2. Township corner code numbers shall be applied to the corners of above typical section.

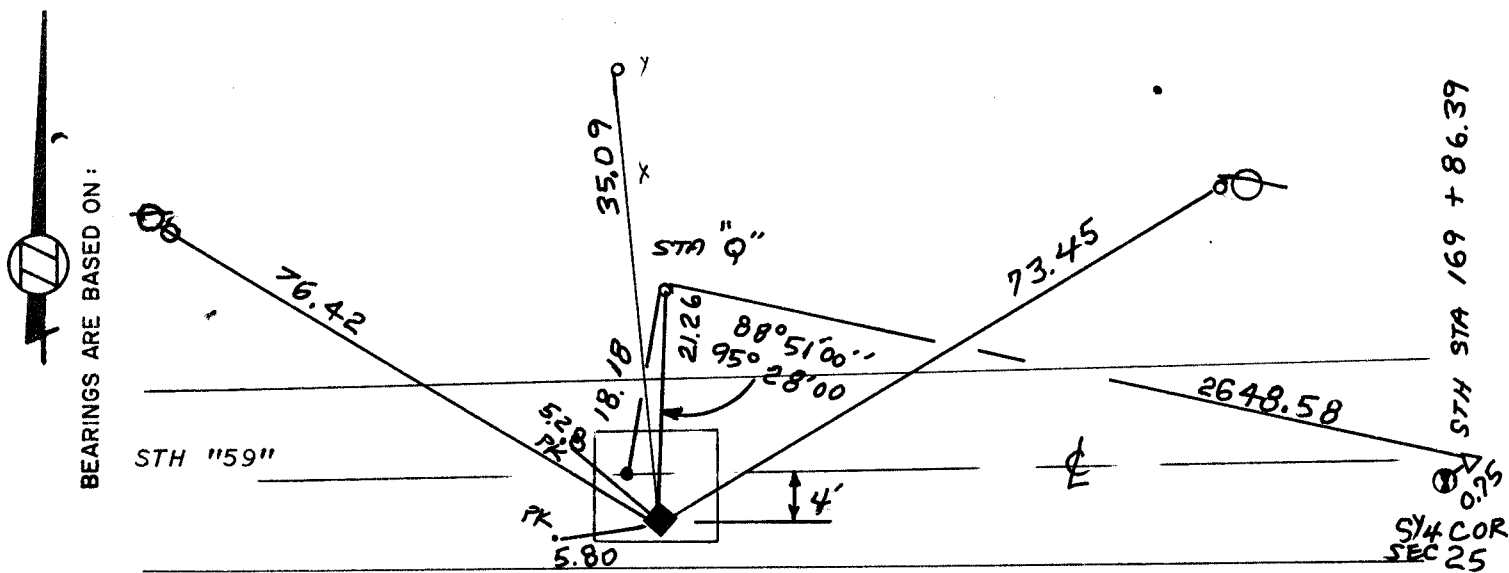
EXAMPLE



IF AVAILABLE
STATE PLANE COORDINATES

North (Y) _____ Eleve. (Z) _____
 East (X) _____ Zone _____
 Hor. Datum _____ Vert. Datum _____

- (a) CORNER MONUMENT **PK SHINNER**
- WITNESS MONUMENT **3/4" X 26" IRON BOLT**
- FOUND NAIL



FIELD BOOK 2 PAGE # 22

S 1/4 COR
SEC 26
CAST
IRON MON

S.T.H 169 + 86.39
359° 56' 42"

SHOW A PLAN VIEW DRAWING DEPICTING THE CORNER MONUMENT AND SURROUNDING PHYSICAL FEATURES, INCLUDING THE EXCAVATION AREA AND DEPTH. THE CORNER MONUMENT SHALL HAVE THE FOLLOWING CHARACTERISTICS: 1) HAVE AT LEAST TWO PREDETERMINED BREAK-OFF POINTS. 2) IF BROKEN, LEAVE A PERMANENTLY MAGNETIZED REMNANT AT THE ORIGINAL POINT. 3) MUST BE EXTENDABLE. 4) THE CAP IS INSCRIBED: ROCK COUNTY SURVEY MONUMENT - PENALTY FOR DISTURBING MARKER. 5) OR AN EXISTING CUT LIMESTONE. AN IRON PIPE 1 1/2" x 4'0" (MINIMUM) MAY BE USED IN AREAS WHERE GROUND WATER IS WITHIN ONE FOOT OF THE SURFACE. IF THE CORNER IS OCCUPIED BY AN IMPROVEMENT (MANHOLE, BURIED CABLE, ETC.) ANY DURABLE, DISTINCT MONUMENT MAY BE USED. CORNERS SHALL BE REFERENCED WITH AT LEAST 4 DURABLE WITNESS MONUMENTS. WITNESS MONUMENTS SHALL BE MADE OF CONCRETE, NATURAL STONE, IRON OR OTHER EQUALLY DURABLE MATERIAL, EXCEPT WOOD. DESCRIBE THE CORNER AND THE WITNESS MONUMENTS.

CORNER CODE: V 21

- (b.) Describe any record evidence, monument evidence, occupational evidence, testimonial evidence or any other material evidence you considered, and whether the monument was found or placed.

FOUND CUT LIMESTONE 3' DEEP. SET PK/SHINNER. AREA WILL BE DISTURBED BY 1985 ROAD CONSTRUCTION.

- (c.) Was the corner restored through acceptance of (1) an obliterated evidence location, or, (2) a found perpetuated location?

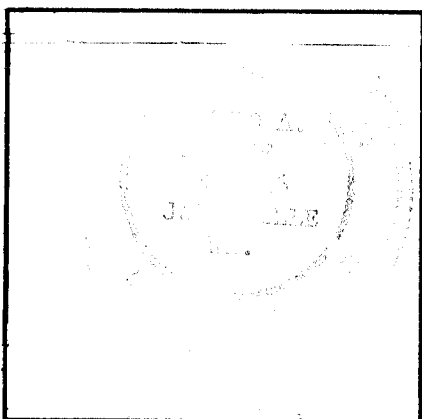
ACCEPTED CUT LIMESTONE.

- (d.) Describe any material discrepancy between the location of the corner as restored or reestablished and the location of that corner as previously restored or reestablished by distance and direction. Show the discrepancy on the plan view drawing under (a), above. Show the distances between the corner as previously restored or reestablished and (1) the corner as restored or reestablished, and (2) to at least 4 of the witness monuments shown on the drawing in (a), above.

- (e.) Was the corner reestablished through lost corner proportionate methods? If so, show the method, including the directions and distances to other public land survey corners used as evidence or used for proportioning in determining the corner location.

NA

I, Ronald Baines, hereby certify that the corner points as identified by the corner code index were, in a field survey on JULY 14, 1983, established, re-established, monumented, re-monumented recovered or restored as expressed below and in conformance with the regulations and rules as required in the current manual of survey instructions of the United States Department of Interior, Bureau of Land Management.



COUNTY SURVEYOR FILING DATA

Date of Computer Entry _____

Date Received _____

Date Microfilmed _____

Treasurer's Receipt No. _____

Number of Included Sheets _____

AFFIX YOUR LAND SURVEYOR SEAL.

V21