

Paper weight-110# (minimum)

Black nonfading ink required

U.S. PUBLIC LAND SURVEY MONUMENT RECORD

For Public Land Survey Corners In:

WI ADMINISTRATIVE CODE A-E 7.08 REQUIREMENT

T. 4 N. R. 12 E. 4th P.M.

REV 10/23/2004

USMONREC.DWG

CORNER CODE INDEX

A	1	2	3	4	5	6	7	8	9	10	11	12	13	14	15	16	17	18	19	20	21	22	23	24	25	A
B		6				5				4		3			2					1						B
C																										C
D																										D
E																										E
F																										F
G																										G
H																										H
J																										J
K																										K
L																										L
M																										M
N																										N
O																										O
P																										P
Q																										Q
R																										R
S																										S
T																										T
U																										U
V																										V
W																										W
X																										X
Y																										Y
Z																										Z

FULTON TWP

ROCK COUNTY WI

IF AVAILABLE
ROCK COUNTY COORDINATES PREFERRED

North _____ Elev. _____

East _____

Hor. Datum _____ Vert. Datum _____

LATITUDE _____ ELLIPS. HT. _____

LONGITUDE _____

NAD83(91) _____ NETWORK ADJ. YR _____

GPS (X) _____ TRAVERSE (X) _____

BASED ON THE FOLLOWING CONTROL:

PLACE MONUMENT SYMBOL AT PROPER LOCATION ON ABOVE INDEX

CORNER MONUMENT WITNESS MONUMENT

BEARINGS ARE BASED ON: _____

FIELD BOOK _____ PAGE # _____ SHEET 1 OF 3

SHOW A PLAN VIEW DRAWING DEPICTING THE CORNER MONUMENT AND SURROUNDING PHYSICAL FEATURES, INCLUDING THE EXCAVATION AREA AND DEPTH.

PLANNING & ZONING COMMITTEE ADOPTED THIS FORM ON 12/2/1982

CORNER CODE C-13

FU517^

(B) Describe any record evidence, monument evidence, occupational evidence, testimonial evidence or any other material evidence you considered, and whether the monument was found or placed.

- 1834 (MAR/APR) HARRISON NORTH BET SECS 3 & 4
1554.3 RED O. 12
2640 QUARTER SEC. CORNER {W.O. 10 S72E 52.8' RED O 12
S25W 163.68' W.O. 10 RED O 12} MARKED
4290 BROOK 9.9' E
5305.74 INT. NORTH B DY 145.2' E OF P {BURR O 18 S48W
116.82' W.O. 12 S37E 98.34' LAND ?? SAME
- 1857 MILLER BK 3 PG 20 "SWITHS ADDITION TO EDGERTON". CALLS
FOR STONE
- 18?? #3310 UNRECORDED SUBDIVISION "SUB OF 17 LOTS- COPLEY'S
ADD. TO EDGERTON" BY UNKNOWN PERSON. L.S. 20X7X6
SURROUNDED BY 4 HH. 33' WEST OF THE EAST R/W LINE OF
ALBION ST. ON LINE WITH THE SOUTH LINE OF THE UNRECORDED
SUB.
- 1881 LEE VOL 2 PG 324 & 1001 FD PLACE WHERE THE SW BT HAD BEEN
DUG UP. THE COR IN GATHERING NEAR MR. PALMER'S HOUSE A
LITTLE NEARER THE W THAN THE E POST. VAR 6-10 2582.79 TO
CENTER OF SEC 3
- 1960 ELY #13411 SUB FD PK
- 1976 BARNES VOL 5 PG 228 SET COR BY USING BLEEDHORN 1893
PARK PLACE ADD. SUB. MH ON BOTH SIDES OF COR INDICATES
SEWER LINE RUNS UNDER W ¼ COR. DID NOT DIG. FD NOTHING.
SET PK/FLASHER & REF. SAME. IN ALBION ST & SOUTH OF SOUTH
SIDEWALK ALONG CRESCENT ST.
- 1977 BARNES VOL 5 PG 304 FD PK SET ALUM. MON.
- 1978 SANDSNES VOL 5 PG 447 PROVIDED THE FOLLOWING DATA:
307,605.02; 2,248,918.72
- 1978 SANDSNES #2138 SUB ALUM MON. 307,602.79; 2,248,918.52
- 1979 WEIR #2142 & 2143 OL 14 & 16 ALUM.
- 1979 WEIR #13478 & 13479 O.L. 16 & 17 ALUM. MON.
- 1980 WEIR #13492 SWIFT'S ADDITION BK 3 PG 20 FD ALUM. MON. S1-
36-52E 1301.02 TO PIPE
- 1983 SANDSNES #3870 OL 22&23 FD ALUM 307,602.79; 2,248,918.53
& WITH COORDINATES.
- 1984 BARNES VOL 6 PG 326 307,605.02; 2,248,918.72 S1-36-33E
2651.98 TO SW COR SEC 3, N1-46-35W 2644.16 TO NW COR SEC
3, N89-38-26E 2583.86 TO CEN SEC 3, 5172.11 TO E ¼ COR SEC
3
- 1987 LEE #12791 STATES NOTHING ABOUT MON. 2649.75 TO SE COR
SEC 4
- 1990 COMBS CSM VOL 14 PG 274 CONC. MON. S88-39-10E 2627.63 TO
CENTER OF SEC 3 A FD ANGLE IRON. ALSO FD ANGLE IRON IN
CONC. S88-39-10E 1314.50 FROM W ¼ COR SEC 3
- 1995 NORTHROP #5826 ORIGINAL PLAT FD ALUM. 2650.2 TO ALUM
MON. @ SE COR SEC 4.
- 1999 KOFMEISTER #14455 FD ALUM MON. S89-26-22W 5405.22
TO ALUM MON @ W ¼ COR SEC 4. NOTE: BEARINGS FOR THIS
SURVEY AND MAP ARE BASED ON GRID NORTH AS
DETERMINED BY GPS METHODS IN 1999.
- 2004 COMBS CSM27-205 ALUM. MON. 2649.80 TO SE COR SEC 4

SHEET 1 OF 3

CORNER CODE **C-13**

Donald Baues
11/01/07

FU517

FD BROKEN ALUM. THAT IS IN HARMONY WITH TIES.

C) Was the corner restored through acceptance of (1) an obliterated evidence location, or, (2) a found perpetuated location?

ACCEPTED FD PERPETUATED LOCATION

D) Describe any material discrepancy between the location of the corner as restored or reestablished and the location of that corner as previously restored or reestablished by distance and direction. Show the discrepancy on the plan view drawing under (a), above. Show the distances between the corner as previously restored or reestablished and (1) the corner as restored or reestablished, and (2) to at least 4 of the witness monuments shown on the drawing in (a), above.

NONE

(E) Was the corner reestablished through lost corner proportionate methods? If so, show the method, including the directions and distances to other public land survey corners used as evidence or used for proportioning the corner location.

NO

I, **Donald Barnes**, hereby certify that the corner location as identified by the corner code index was determined by me under my direction and control and that this U.S. Public Land Survey Monument Record is correct and complete to the best of my knowledge and belief.

Donald Barnes
Seal
11/01/07
Emboss

SHEET 2 OF 3

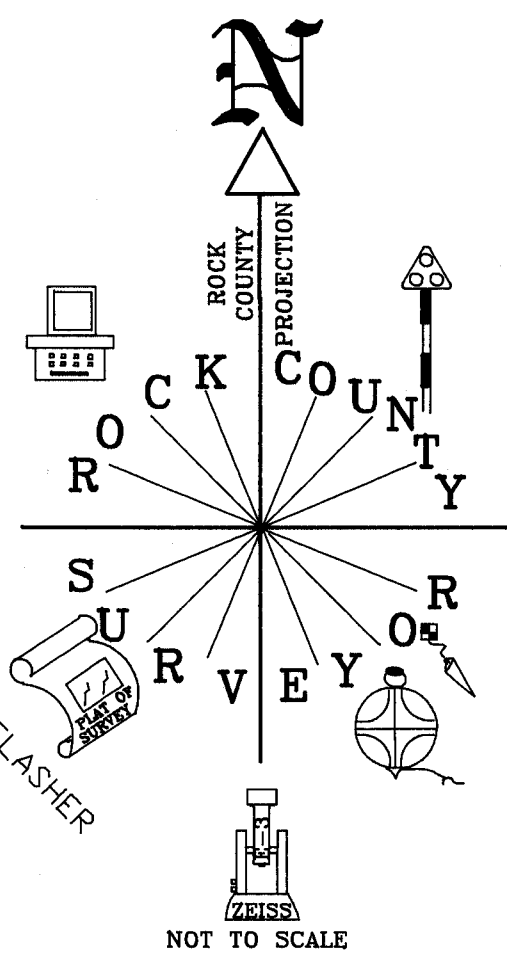
CORNER CODE

C-13

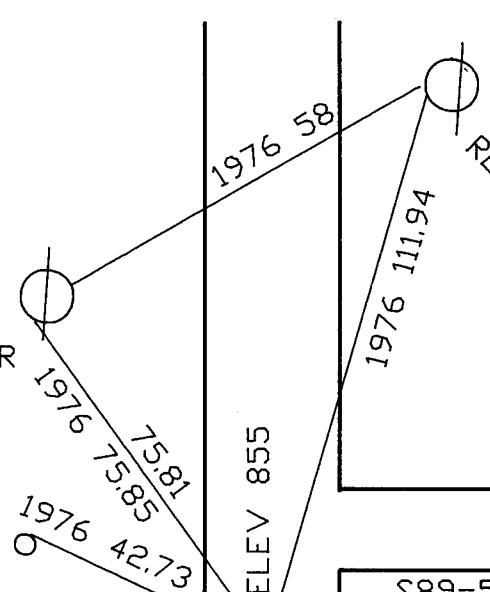
A.E. 7.08 REQUIREMENT

VERTICAL DATUM BASED
ON DIGITAL PHOTO

OBSERVATION SHEET
#517



FD PK/FLASHER



REC CUT "X"
TOP SIDE OF 5 1/2'
HIGH STEEL POST

FD ALUM./
TOP BROKE OFF
W 1/4 COR

W 1/4 COR
SEC 3
FULTON TWP
T4N R12E

ALBION ST.

CRESCENT DR

S89-53-18E 58.20
1976 58.24

1976 32.77
S89-29-20E 32.74

S46-09-23E 46.17
1976 BARNES 46.13

1976 86.77
1976 86.90

1976 25.47
N89-35-54E 25.46
ELEV 853.4
FD PIPE

1976 31.68
N01-00-39W 31.69
FD PIPE ELEV 854.4

FD PIN IN SIDEWALK

FD PK/FLASHER

SHEET 3 OF 3

C-13

EMBOSSSED SEAL
Donald Barnes

11/01/2007