

Paper weight-110# (minimum)

Black nonfading ink required

# U.S. PUBLIC LAND SURVEY MONUMENT RECORD

For Public Land Survey Corners In:  
T. 4 N. R. 4 E. 4th P.M.

WI ADMINISTRATIVE CODE A-E 7.08 REQUIREMENT  
REV 10/23/2004 USMONREC.DWG

### CORNER CODE INDEX

	1	2	3	4	5	6	7	8	9	10	11	12	13	14	15	16	17	18	19	20	21	22	23	24	25
A																									
B																									
C																									
D																									
E																									
F																									
G																									
H																									
J																									
K																									
L																									
M																									
N																									
O																									
P																									
Q																									
R																									
S																									
T																									
U																									
V																									
W																									
X																									
Y																									
Z																									

1 2 3 4 5 6 7 8 9 10 11 12 13 14 15 16 17 18 19 20 21 22 23 24 25  
PLACE MONUMENT SYMBOL  AT PROPER LOCATION ON ABOVE INDEX

PORTER TWP  
ROCK COUNTY WI

IF AVAILABLE  
ROCK COUNTY COORDINATES PREFERRED

North \_\_\_\_\_ Elev. \_\_\_\_\_

East \_\_\_\_\_

Hor. Datum \_\_\_\_\_ Vert. Datum \_\_\_\_\_

LATITUDE \_\_\_\_\_ ELLIPS. HT. \_\_\_\_\_

LONGITUDE \_\_\_\_\_

NAD83(91) \_\_\_\_\_ NETWORK ADJ. YR \_\_\_\_\_

GPS (X) \_\_\_\_\_ TRAVERSE (X) \_\_\_\_\_

BASED ON THE FOLLOWING CONTROL:  
\_\_\_\_\_

CORNER MONUMENT

WITNESS MONUMENT

BEARINGS ARE BASED ON: \_\_\_\_\_

FIELD BOOK \_\_\_\_\_ PAGE # \_\_\_\_\_

SHEET 1 OF 2

SHOW A PLAN VIEW DRAWING DEPICTING THE CORNER MONUMENT AND SURROUNDING PHYSICAL FEATURES, INCLUDING THE EXCAVATION AREA AND DEPTH.

PLANNING & ZONING COMMITTEE ADOPTED THIS FORM ON 12/2/1982

CORNER CODE C-23

PO4519 GEN-SEC 1

(B) Describe any record evidence, monument evidence, occupational evidence, testimonial evidence or any other material evidence you considered, and whether the monument was found or placed.

- 1874 RUBER VOL 1 PG 128 DROVE STAKE & PUT ON IT HH  
23X9X9 SURROUNDED BY 4 HH. VAR 8-02 2552.22 TO E 1/4  
COR SEC 1, VAR 8-02 2698.08 TO W 1/4 COR SEC 1,  
2638.35' TO S 1/4 COR SEC 1. [ESTABLISHED @ INT OF 1/4  
LINES]
- 1878 RUBER VOL 2 PG 284 SET HH 12XBX5 SURROUNDED BY 4  
HH @ S 1/16TH COR OF NE 1/4 SEC 1.

SOUTH SIDE OF RD INDICATES A LARGE RD CUT AND THE NORTH  
SIDE OF ROAD INDICATES A SLIGHT FILL. DID NOT FIND ANYTHING  
AT THE RD SURFACE. DID NOT EXCAVATE FOR THE MONUMENT.

C) Was the corner restored through acceptance of (1) an obliterated evidence location, or, (2) a found  
perpetuated location?

**DID NOT ESTABLISH CORNER.**

D) Describe any material discrepancy between the location of the corner as restored or reestablished  
and the location of that corner as previously restored or reestablished by distance and direction. Show  
the discrepancy on the plan view drawing under (a), above. Show the distances between the corner as  
previously restored or reestablished and (1) the corner as restored or reestablished, and (2) to at least 4  
of the witness monuments shown on the drawing in (a), above.

(E) Was the corner reestablished through lost corner proportionate methods? If so, show the method,  
including the directions and distances to other public land survey corners used as evidence or used for  
proportioning the corner location.

I, DONALD BARNES, hereby certify that the corner location as identified by the corner code index  
was determined by me under my direction and control and that this U.S. Public Land Survey  
Monument Record is correct and complete to the best of my knowledge and belief.

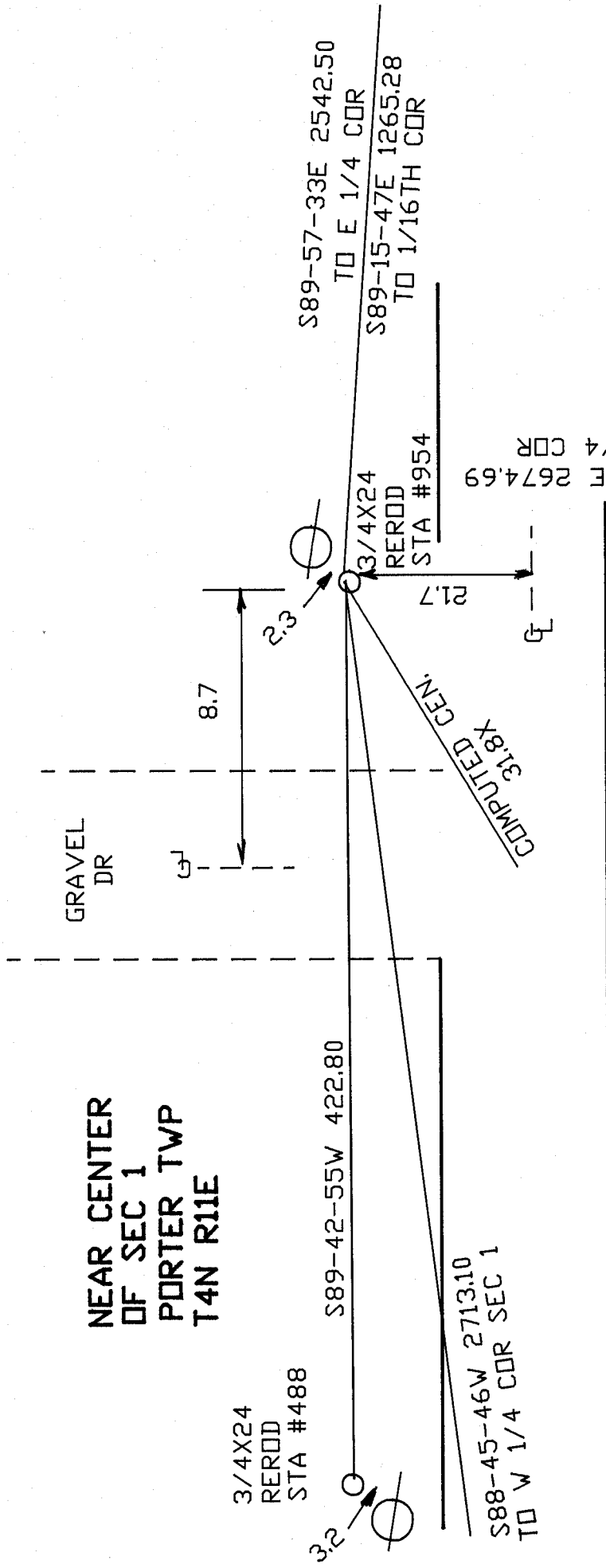
Seal  
Donald  
Emboss  
Barnes  
6-10-2009

SHEET 1 OF 2

CORNER CODE

**C-23**

**A.E. 7.08 REQUIREMENT**



S1-1058E 2674.69  
 TO S 1/4 CDR  
 SEC 1

S89-57-33E 2542.50  
 TO E 1/4 CDR  
 S89-15-47E 1265.28  
 TO 1/16TH CDR

NEAR CENTER  
 OF SEC 1  
 PORTER TWP  
 T4N R11E

3/4X24  
 REROD  
 STA #488

S89-42-55W 422.80

S88-45-46W 2713.10  
 TO W 1/4 CDR SEC 1

BRUSH &  
 OLD FENCE  
 DOWN

SHEET 2 OF 2

C-23

*Dennis Lane*

6-10-2009