

U.S. PUBLIC LAND SURVEY MONUMENT RECORD

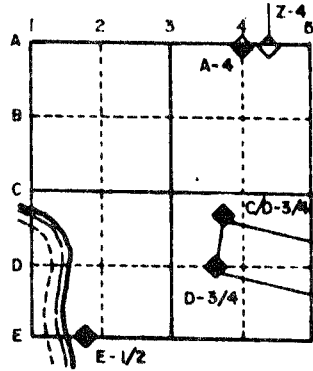
For Public Land Survey Corners in the
T. 2 N., R. 13 E.

CORNER CODE INDEX

	1	2	3	4	5	6	7	8	9	10	11	12	13	14	15	16	17	18	19	20	21	22	23	24	25
A																									
B																									
C	6																								
D		5																							
E			4																						
F				3																					
G					2																				
H																									
I																									
J	7																								
K		8																							
L			9																						
M				10																					
N					11																				
O						12																			
P							13																		
Q								14																	
R									15																
S										16															
T											17														
U												18													
V													19												
W														20											
X															21										
Y																22									
Z																	23								
																		24							
																			25						
																				26					
																					27				
																						28			
																							29		
																								30	
																									31
																									32
																									33
																									34
																									35
																									36

PLACE MONUMENT SYMBOL (◆) AT PROPER LOCATION ON ABOVE INDEX

EXAMPLE



LA PRAIRIE TWP
ROCK COUNTY WI

IF AVAILABLE
STATE PLANE COORDINATES

North (Y) _____ Eleve. (Z) _____
 East (X) _____ Zone _____
 Hor. Datum _____ Vert. Datum _____

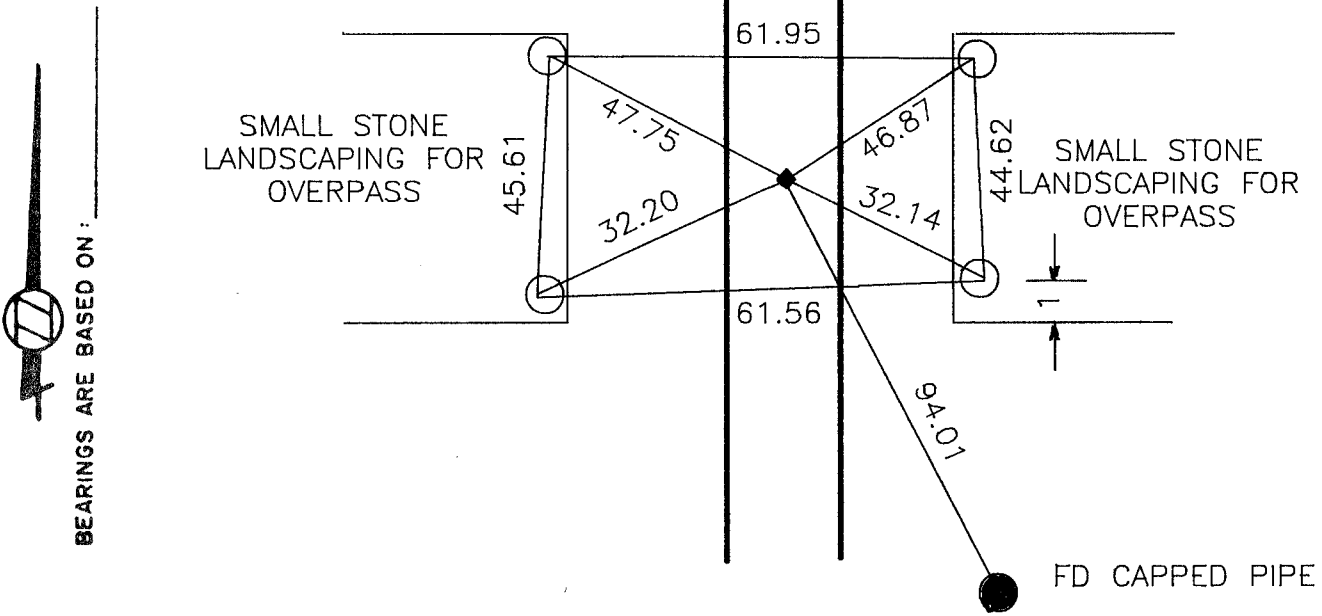
(a.)

◆ CORNER MONUMENT
FD BERTSEN MON

○ WITNESS MONUMENT

FD ALUM MON AT COR

○ 1/2" X 24" REROD



FIELD BOOK 3 PAGE # 50

MICROFILMED

SHOW A PLAN VIEW DRAWING DEPICTING THE CORNER MONUMENT AND SURROUNDING PHYSICAL FEATURES, INCLUDING THE EXCAVATION AREA AND DEPTH. THE CORNER MONUMENT SHALL HAVE THE FOLLOWING CHARACTERISTICS: 1) HAVE AT LEAST TWO PREDETERMINED BREAK-OFF POINTS. 2) IF BROKEN, LEAVE A PERMANENTLY MAGNETIZED REMNANT AT THE ORIGINAL POINT. 3) MUST BE EXTENDABLE. 4) THE CAP IS INSCRIBED: ROCK COUNTY SURVEY MONUMENT - PENALTY FOR DISTURBING MARKER. 5) OR AN EXISTING CUT LIMESTONE. AN IRON PIPE 1 1/2" x 4'0" (MINIMUM) MAY BE USED IN AREAS WHERE GROUND WATER IS WITHIN ONE FOOT OF THE SURFACE. IF THE CORNER IS OCCUPIED BY AN IMPROVEMENT (MANHOLE, BURIED CABLE, ETC.) ANY DURABLE, DISTINCT MONUMENT MAY BE USED. CORNERS SHALL BE REFERENCED WITH AT LEAST 4 DURABLE WITNESS MONUMENTS. WITNESS MONUMENTS SHALL BE MADE OF CONCRETE, NATURAL STONE, IRON OR OTHER EQUALLY DURABLE MATERIAL, EXCEPT WOOD. DESCRIBE THE CORNER AND THE WITNESS MONUMENTS.

CORNER CODE: 25(1)

(b.) Describe any record evidence, monument evidence, occupational evidence, testimonial evidence or any other material evidence you considered, and whether the monument was found or placed.

1861 RUGER VOL 1 PG 161 SET LIMESTONE 17X10X2 & SET LIMESTONE ON N/S SIDES.

1871 RUGER REMONUMENTATION NOTES. FOUND OLD STAKE & LIMESTONE AT CORNER. PLACED CUT LIMESTONE.

1970 BATTERMAN JR. VOL 4 PG 455 FOUND 6X6 CUT LIMESTONE IN MONUMENT BOX. REFERENCED SAME.

1985 BARNES U.S. PUBLIC LAND SURVEY MONUMENT RECORD FOUND CUT LIMESTONE IN MONUMENT BOX. PLACED POLY MON ON TOP OF STONE.

FOUND POLY MONUMENT.

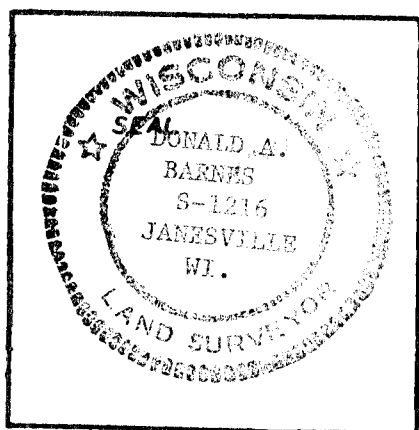
(c.) Was the corner restored through acceptance of (1) an obliterated evidence location, or, (2) a found perpetuated location?

ACCEPTED MONUMENT

(d.) Describe any material discrepancy between the location of the corner as restored or reestablished and the location of that corner as previously restored or reestablished by distance and direction. Show the discrepancy on the plan view drawing under (a), above. Show the distances between the corner as previously restored or reestablished and (1) the corner as restored or reestablished, and (2) to at least 4 of the witness monuments shown on the drawing in (a), above.

(e.) Was the corner reestablished through lost corner proportionate methods? If so, show the method, including the directions and distances to other public land survey corners used as evidence or used for proportioning in determining the corner location.

I, Donald Barnes, hereby certify that the corner points as identified by the corner code index were, in a field survey on June 5 1989, established, re-established, monumented, re-monumented, recovered or restored as expressed below and in conformance with the regulations and rules as required in the current manual of survey instructions of the United States Department of Interior, Bureau of Land Management.



COUNTY SURVEYOR FILING DATA

Date of Computer Entry _____

Date Received _____

Date Microfilmed _____

Treasurer's Receipt No. _____

Number of Included Sheets _____

AFFIX YOUR LAND SURVEYOR SEAL.

CORNER CODE LS(1)

