

PUBLIC LAND SURVEY MONUMENT RECORD

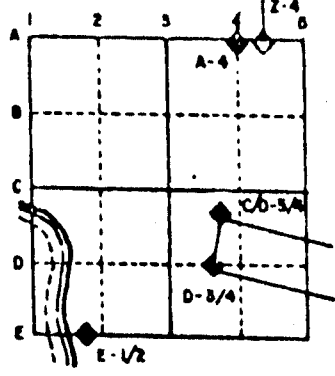
For Public Land Survey Corners in the
T. ___ N., R. ___ E.

CORNER CODE INDEX

	1	2	3	4	5	6	7	8	9	10	11	12	13	14	15	16	17	18	19	20	21	22	23	24	25
A																									
B																									
C																									
D																									
E																									
F																									
G																									
H																									
I																									
J																									
K																									
L																									
M																									
N																									
O																									
P																									
Q																									
R																									
S																									
T																									
U																									
V																									
W																									
X																									
Y																									
Z																									

PLACE MONUMENT SYMBOL (◆) AT PROPER LOCATION ON ABOVE INDEX

EXAMPLE



CLINTON TWP
ROCK COUNTY WI

IF AVAILABLE
STATE PLANE COORDINATES

North (Y) _____ Eleve. (Z) _____
 East (X) _____ Zone _____
 Hor. Datum _____ Vert. Datum _____

◆ CORNER MONUMENT

○ WITNESS MONUMENT

BEARINGS ARE BASED ON:

RECORD OF U. S. PUBLIC LAND SURVEY CONTROL STATION

U. S. PUBLIC LAND SURVEY CORNER 12|7/13|18 T 1 N, R 15 E, WALWORTH COUNTY, WIS.

GEODETIC SURVEY BY: AYRES ASSOCIATES YEAR: 1992

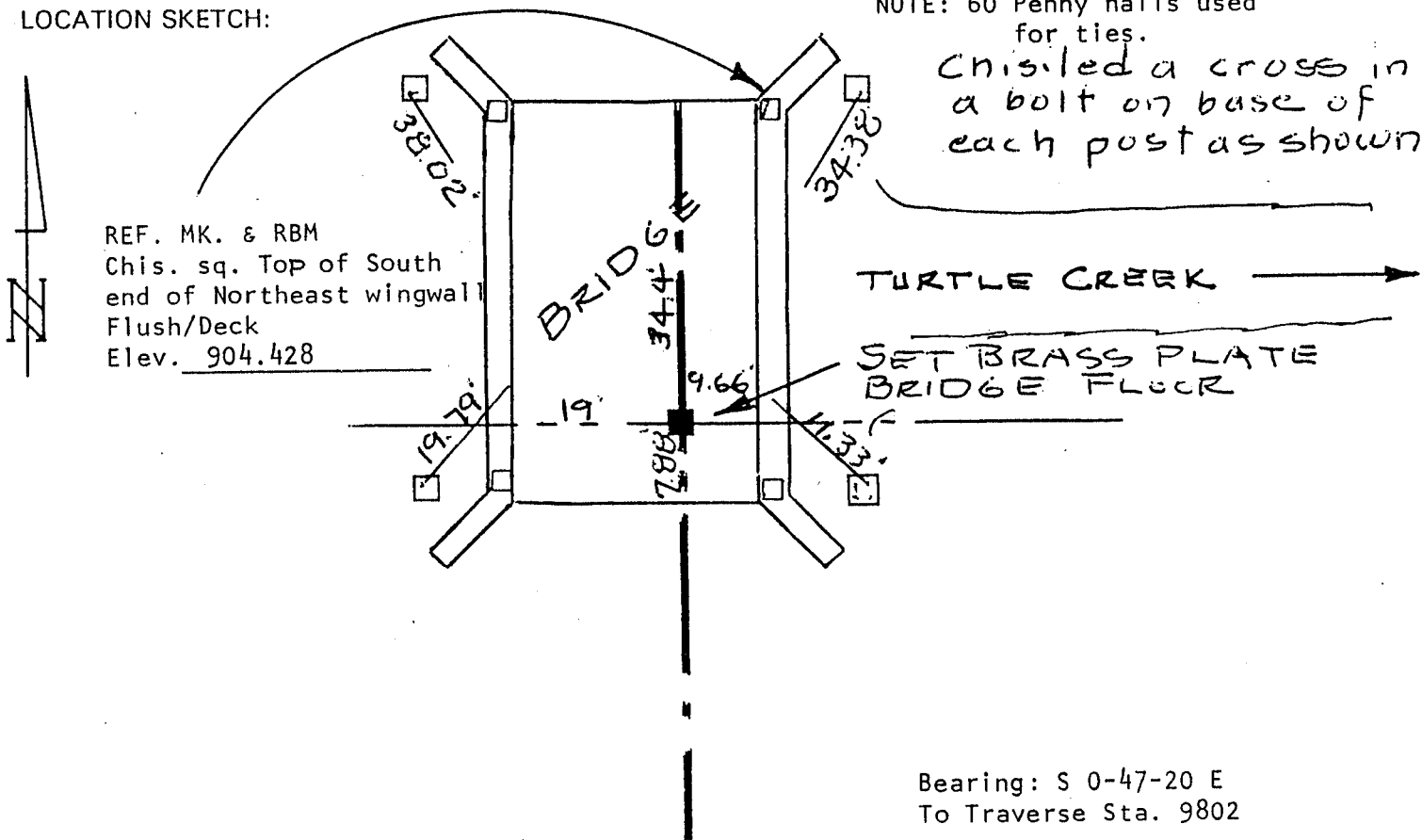
STATE PLANE COORDINATES OF: SECTION CORNER
 NORTH 202,858.24
 EAST 2,329,695.05
 ELEVATION OF STATION: 904.492

HORIZONTAL DATUM: WISCONSIN STATE PLANE COORDINATE SYSTEM, SOUTH ZONE

VERTICAL DATUM: NATIONAL GEODETIC VERTICAL DATUM OF 1929

CONTROL ACCURACY: HORIZONTAL: THIRD ORDER, CLASS 1 VERTICAL: SECOND ORDER, CLASS II THETA ANGLE: + 0-50-26

LOCATION SKETCH:



SURVEYOR'S AFFIDAVIT:

STATE OF WISCONSIN) SS
WALWORTH COUNTY)

I hereby certify that I located the Southwest corner of Section 7 by single proportion method. Drilled a hole in the concrete bridge deck and set in a brass section corner plate.

DATE OF SURVEY: 4-13-92

Lloyd L. Jensen
 REGISTERED LAND SURVEYOR

S - 211

A-2