

Paper weight-110# (minimum)

Black nonfading ink required

U.S. PUBLIC LAND SURVEY MONUMENT RECORD

For Public Land Survey Corners In:

WI ADMINISTRATIVE CODE A-E 7.08 REQUIREMENT

T. 4 N. R. 11 E. 4th P.M.

REV 10/23/2004

USMONREC.DWG

CORNER CODE INDEX

PORTER TWP

ROCK COUNTY WI

IF AVAILABLE

ROCK COUNTY COORDINATES PREFERRED

North _____ Elev. _____

East _____

Hor. Datum _____ Vert. Datum _____

LATITUDE _____ ELLIPS. HT. _____

LONGITUDE _____

NAD83(91) _____ NETWORK ADJ. YR _____

GPS (X) _____ TRAVERSE (X) _____

BASED ON THE FOLLOWING CONTROL:

1	2	3	4	5	6	7	8	9	10	11	12	13	14	15	16	17	18	19	20	21	22	23	24	25	
A																									A
B	6					5					4				3				2				1		B
C																									C
D																									D
E																									E
F																									F
G	7					8					9				10				11				12		G
H																									H
J																									J
K																									K
L	18					17					16				15				14				13		L
M																									M
N																									N
O																									O
P																									P
Q	19					20					21				22				23				24		Q
R																									R
S																									S
T																									T
U																									U
V																									V
W																									W
X	30					29					28				27				26				25		X
Y																									Y
Z																									Z
1	2	3	4	5	6	7	8	9	10	11	12	13	14	15	16	17	18	19	20	21	22	23	24	25	

PLACE MONUMENT SYMBOL AT PROPER LOCATION ON ABOVE INDEX

CORNER MONUMENT

WITNESS MONUMENT

(a)

BEARINGS ARE BASED ON: _____

FIELD BOOK _____ PAGE # _____

SHEET 1 OF 2

SHOW A PLAN VIEW DRAWING DEPICTING THE CORNER MONUMENT AND SURROUNDING PHYSICAL FEATURES, INCLUDING THE EXCAVATION AREA AND DEPTH.

PLANNING & ZONING COMMITTEE ADOPTED THIS FORM ON 12/2/1982

CORNER CODE C-11(1)

PO4516 CENTERSEC4

(B) Describe any record evidence, monument evidence, occupational evidence, testimonial evidence or any other material evidence you considered, and whether the monument was found or placed.

- 1874 RUGER VOL 2 PG 129 ESTABLISHED THE COR. BY INTERSECTING 1/4 LINES. DROVE STAKE DEEP & PUT ON TOP OF IT HH STONE 16X12X7
- 1993 BARNES C-11 FD STONE OF RECORD. REPLACED IT WITH A POLY. MON. & SURROUNDED IT WITH 3 HH. PLACED CARSONITE POST ON SOUTH SIDE.
- 1995 LATHROP #9359 ALUM S00-16-50W 2663.91 TO S 1/4 COR SEC 4
- 2004 BAKER #14776 ALUM. MON. S00-07-12W 2664.06 TO ALUM @ S 1/4 COR SEC 4
- 2008 SANDSNES MAP # FD ROCK COUNTY ALUM MON REPRESENTING THE CENTER OF SEC 4. NB9-41-37E 2598.90 TO ALUM MON. @ E 1/4 COR SEC 4, NO-07-08E 2572.16 TO FD MAG NAIL REPRESENTING THE N 1/4 COR SEC 4, SB9-41-37W 2613.19 TO FD 1" IP @ W 1/4 COR SEC 4, S00-07-08W 2664.00 TO FD ALUM. @ S 1/4 COR SEC 4.

I USED MY 1993 OBSERVATIONS TO THE POLY.

C) Was the corner restored through acceptance of (1) an obliterated evidence location, or, (2) a found perpetuated location?


ACCEPTED RUGER'S HH STONE 16X12X7, WHICH I REPLACED WITH A POLY

D) Describe any material discrepancy between the location of the corner as restored or reestablished and the location of that corner as previously restored or reestablished by distance and direction. Show the discrepancy on the plan view drawing under (a), above. Show the distances between the corner as previously restored or reestablished and (1) the corner as restored or reestablished, and (2) to at least 4 of the witness monuments shown on the drawing in (a), above.

NONE

(E) Was the corner reestablished through lost corner proportionate methods? If so, show the method, including the directions and distances to other public land survey corners used as evidence or used for proportioning the corner location.

I, **Donald Barnes**, hereby certify that the corner location as identified by the corner code index was determined by me under my direction and control and that this U.S. Public Land Survey Monument Record is correct and complete to the best of my knowledge and belief.

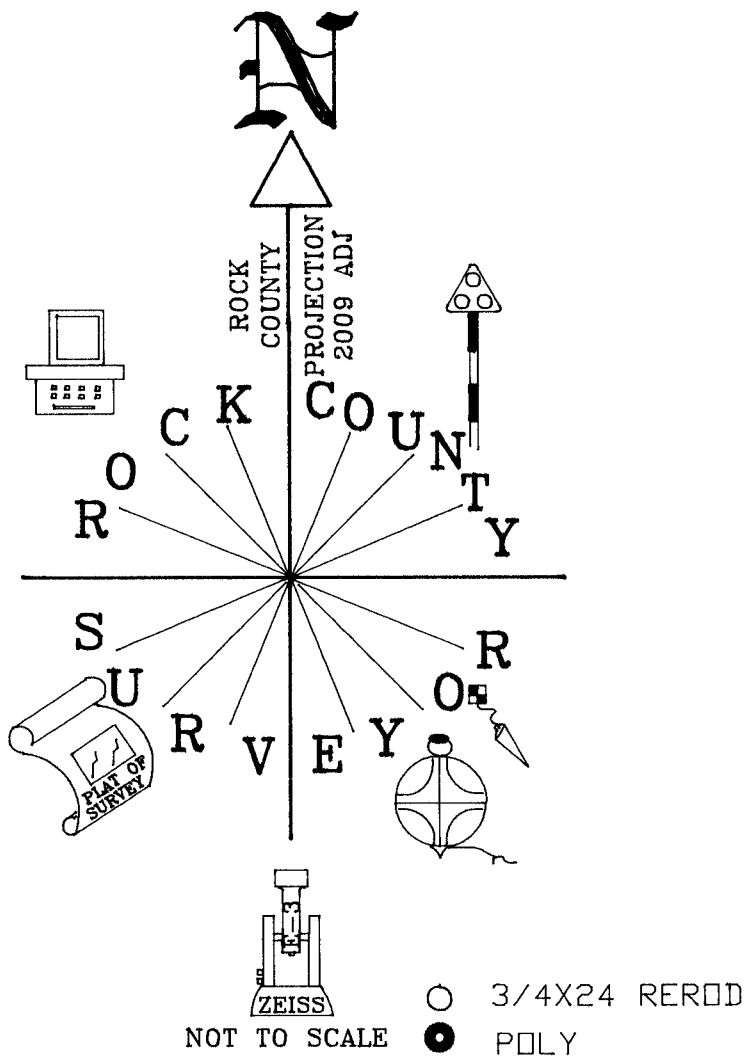
Seal

Emboss
3/14/2009

SHEET 1 OF 2

CORNER CODE

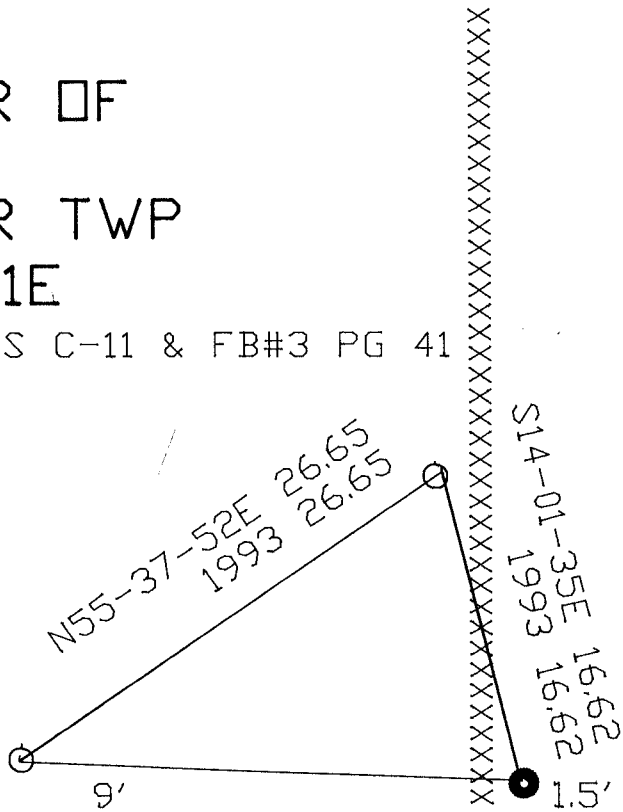
C-11(1)

A.E. 7.08 REQUIREMENT



CENTER OF
 SEC 4
 PORTER TWP
 T4N R11E

1993 BARNES C-11 & FB#3 PG 41



XX

1993 26.01

S87-37-47E 26.04

51

SHEET 2 OF 2

C-11(1)

EMBOSSED
 SEAL

Donald Barnes

3/14/2009