

U.S. PUBLIC LAND SURVEY MONUMENT RECORD

For Public Land Survey Corners in:

WI ADMINISTRATIVE CODE A-E 7.08 REQUIREMENT

T. 2 N., R. 10 E

CORNER CODE INDEX

A	1	2	3	4	5	6	7	8	9	10	11	12	13	14	15	16	17	18	19	20	21	22	23	24	25
B																									
C	6						5				A				3						2			1	
D																									
E																									
F																									
G																									
H	1						8			9					10						11			12	
I																									
J																									
K																									
L	18						17			16					15						14			13	
M																									
N																									
O																									
P	19						20			21					22						23			24	
Q																									
R																									
S																									
T	30						29			28					27						26			25	
U																									
V																									
W																									
X	31						32			33					34						35			36	
Y																									
Z																									

SPRING VALLEY TWP
ROCK COUNTY WI

IF AVAILABLE
ROCK COUNTY COORDINATES PREFERRED

North _____ Elev. _____

East _____

Hor. Datum _____ Vert. Datum _____

LATITUDE _____ ELLIPS. HT. _____

LONGITUDE _____

GPS (X) _____ TRAVERSE (X) _____

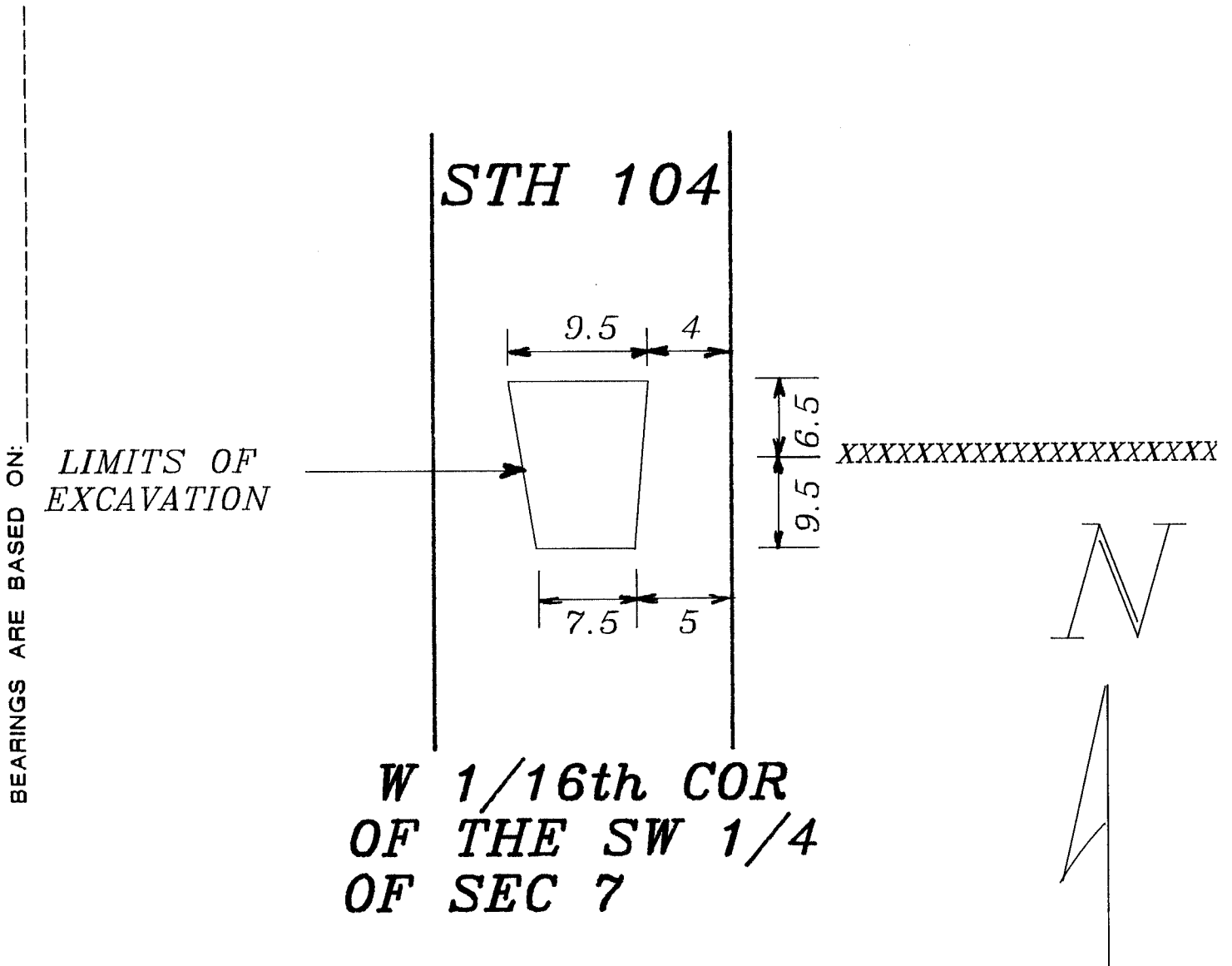
BASED ON THE FOLLOWING CONTROL:

PLACE MONUMENT SYMBOL **◆** AT PROPER LOCATION ON ABOVE INDEX

◆ CORNER MONUMENT

○ WITNESS MONUMENT

(a)



FIELD BOOK 3 PAGE # 65

SHEET 1 OF 1

SHOW A PLAN VIEW DRAWING DEPICTING THE CORNER MONUMENT AND SURROUNDING PHYSICAL FEATURES, INCLUDING THE EXCAVATION AREA AND DEPTH.

PLANNING & ZONING COMMITTEE ADOPTED THE ABOVE FORM ON 12/2/1982

CORNER CODE H 1(1)

MA1534

(B) Describe any record evidence, monument evidence, occupational evidence, testimonial evidence or any other material evidence you considered, and whether the monument was found or placed.

1868 LEE VOL 1 PG 336 SET STAKE 1306.14 TO W 1/4 & SW CORNERS OF SEC 7.

1879 RUGER VOL 2 PG 265 SET HH 18X7X7 SURROUNDED BY 4 HH. 1310.76 TO W 1/4 AND SW CORNERS OF SEC 7.

1937 SUNNY VOL 3 PG 355 DUG 4X6X3.5 DEEP. FOUND NO MONUMENT SET BY RUGER IN 1879. SHOWS CENTER OF ROAD & E/W FENCE ON EAST SIDE OF ROAD.

C) Was the corner restored through acceptance of (1) an obliterated evidence location, or, (2) a found perpetuated location?

DUG & FOUND NOTHING.

D) Describe any material discrepancy between the location of the corner as restored or reestablished and the location of that corner as previously restored or reestablished by distance and direction. Show the discrepancy on the plan view drawing under (a), above. Show the distances between the corner as previously restored or reestablished and (1) the corner as restored or reestablished, and (2) to at least 4 of the witness monuments shown on the drawing in (a), above.

(E) Was the corner reestablished through lost corner proportionate methods? If so, show the method, including the directions and distances to other public land survey corners used as evidence or used for proportioning the corner location.

I, Donald Barnes, hereby certify that the corner location as identified by the corner code index was determined by me under by direction and control and that this U.S. Public Land Survey Monument Record is correct and complete to the best of my knowledge and belief.

seal

Donald Barnes
emboss

Number of included sheets _____

AUGUST 23, 1996

A-E 7.08 REQUIREMENT

CORNER CODE

H/(1)